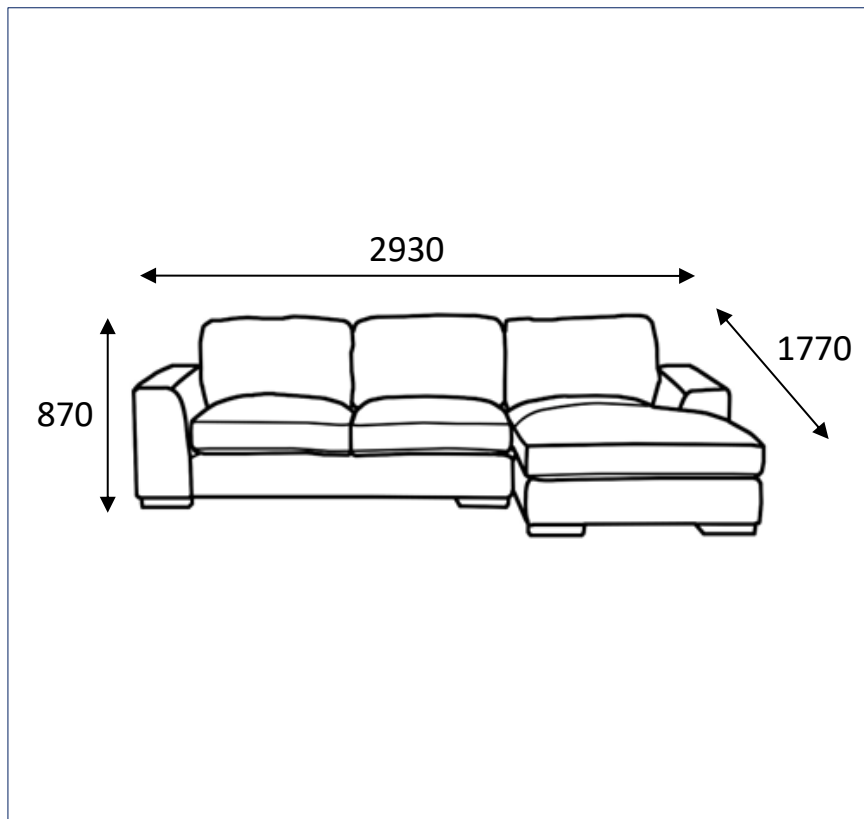




ASSEMBLY INSTRUCTION
JOSEPHINE 3S RHF CHAISE
ITEM CODE 81107

Imported by Amart Furniture Pty Ltd, Qld, Brisbane Australia.
For any assistance with assembly or for missing parts please phone
Amart Furniture, Customer Service Free call 1800 351 084

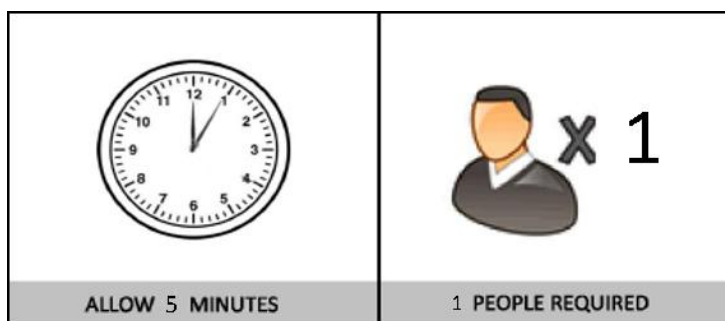


Imported by Amart Furniture Pty Ltd, Qld, Brisbane Australia.
For any assistance with assembly or for missing parts please phone
Amart Furniture, Customer Service Free call 1800 351 084

PRE-ASSEMBLY PREPARATION

Before you start:

1. Choose a clean, level, spacious assembly area. Avoid hard surfaces that may damage the product
2. Take care when lifting. Product should be assembled as near as possible to the point of use
3. Ensure that you have all required contents for complete assembly
4. Always read the assembly instructions carefully before beginning assembly.
5. Keep all hardware parts and packaging out of reach of small children.
6. Do not over tighten the screws and bolts as this may damage the threads



PARTS LIST



PART II

PART I

Hardware

| <i>HARDWARE LIST</i> | | |
|----------------------|---|------------|
| | <i>DESCRIPTION</i> | <i>QTY</i> |
| <i>A</i> | Sofa Legs | 5 PCS |
| <i>B</i> | Bolt  | 5 PCS |
| <i>C</i> | Allen Key  | 1PC |
| <i>D</i> | Support Leg  | 1PCS |

PART I

| <i>HARDWARE LIST</i> | | |
|----------------------|---|------------|
| | <i>DESCRIPTION</i> | <i>QTY</i> |
| <i>A</i> | Sofa Legs | 4PCS |
| <i>B</i> | Bolt  | 4PCS |
| <i>C</i> | Allen Key  | 1PC |
| <i>D</i> | Support Leg  | 1PCS |

PART II

PLEASE TAKE NOTE:
PIECES REQUIRE FOR ASSEMBLY ARE LOCATED INSIDE THE DUST
COVER UNDERNEATH SOFA

Step 1

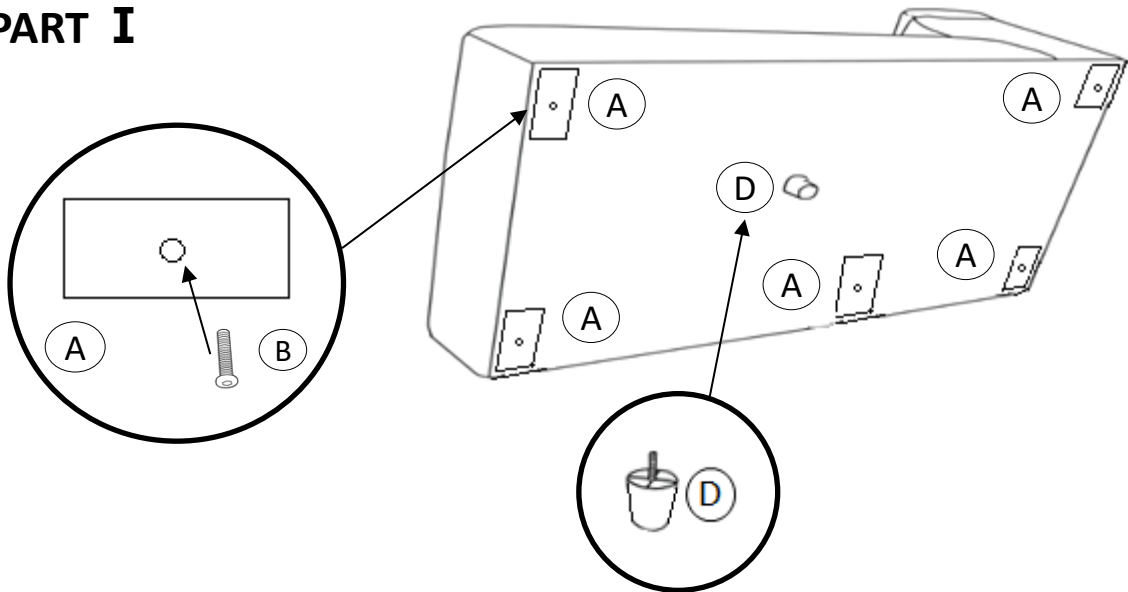
With 1 person carefully turn sofa onto its front on a piece of cardboard or sheet to protect fabric.

DETAILS (1) - Align base plate of each foot (A) with the pre-threaded holes in the undersides of the sofa as shown in the below diagram.

Insert Bolt (B) and tighten by turning clockwise using Allen key (C).

DETAILS (2) – Insert the thread of the support leg (D) into the corresponding support leg hole.

PART I



Step 2 PART I ASSEMBLY COMPLETED



Step 3

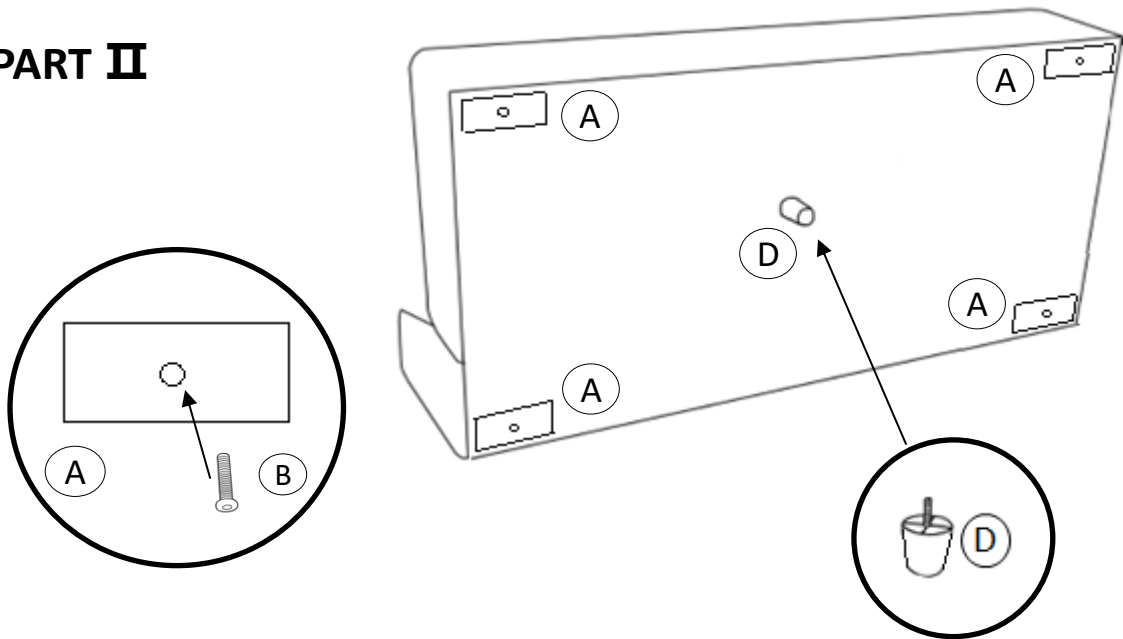
With 2 people carefully turn sofa onto its front on a piece of cardboard or sheet to protect fabric.

DETAILS (1) - Align base plate of each foot (A) with the pre-threaded holes in the undersides of the sofa as shown in the below diagram.

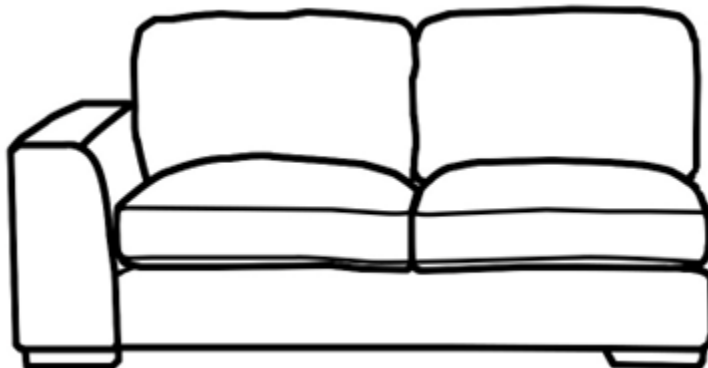
Insert Bolt (B) and tighten by turning clockwise using Allen key (C).

DETAILS (2) – Insert the thread of the support leg (D) into the corresponding support leg hole.

PART II



Step 4 PART II ASSEMBLY COMPLETED



Step 5 ASSEMBLY COMPLETED



IMPORTANT:

PLEASE ENSURE FEET ARE TIGHTENED SECURELY BEFORE USE!

CARE LABEL

REGULAR CARE:

- Protect from direct sunlight
- Vacuum regularly using low suction
- Rotate reversible cushions regularly

CLEANING:

- Do not remove cushion covers for separate cleaning even though they may have zippers
- Do not wash, Do not dry clean, Do not shampoo clean
- Clean with hot water extraction machine. Professional cleaning recommended
- Do not use dishwashing liquid or laundry detergent
- Use only upholstery detergents
- Do not wet filling
- Dry in shade away from direct heat and sunlight
- Allow to dry thoroughly before re-use

SPOT CLEANING:

- Do not rub
- Do not spot clean with any solvent
- Treat spills and stains as soon as possible
- Gently scrape off any soil or mop any liquid from the surface of the fabric
- Apply proprietary cleaning agents strictly according to instructions to remove the residue of the spill
- Do not saturate the fabric or interior with water or other cleaning liquids

WARNING:

Apply only water-based soil resist (fabric protection) treatments. Do not use aerosol products

* PILLING IS NOT A FABRIC DEFECT OR FAULT AND IS NOT COVERED BY WARRANTY

* PILLING IS A NORMAL OCCURRENCE CAUSED BY WEAR AND TEAR AND DOES NOT AFFECT THE DURABILITY OR FUNCTIONALITY OF THE FABRIC AND IS EASILY REMOVED